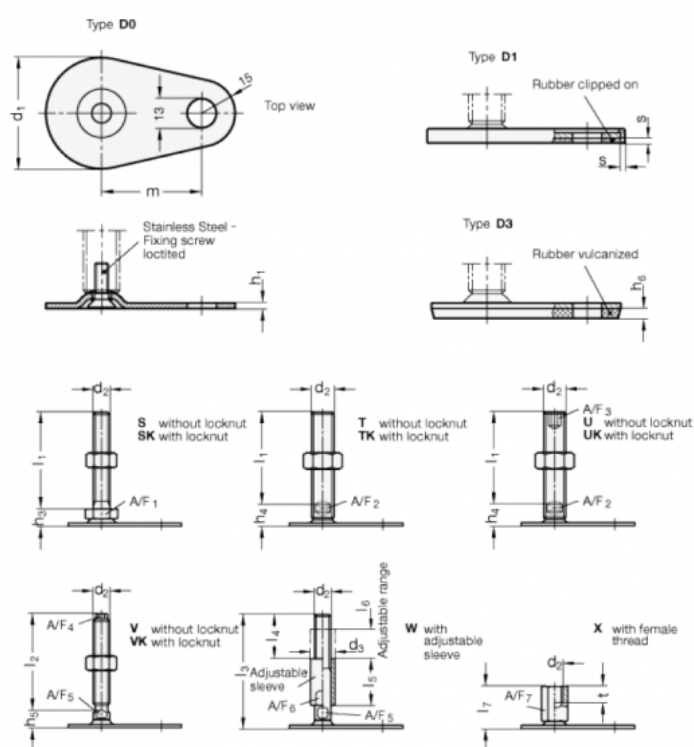


# Data Sheet



Article number: 204380M16125D1T  
 Description: E+G levelling foot  
 GN 43-80-M16-125-D1-T  
 Note: T Without nut, Wrench flat at the bottom

## Measures



A/F2 = 12	s = 2
d1 = 80	
d2 = M16	
h1 = 3	
h4 = 18	
h6 =	
l1 = 125	
m = 70	